

## PATENT SPECIFICATION



Convention Date (Denmark) : Nov. 20, 1935.

463,243

Application Date (In United Kingdom) : Nov. 16, 1936.

No. 31328/36.

Complete Specification Accepted : March 24, 1937.

## COMPLETE SPECIFICATION

### Children's Book with Puppet-Theatre Stages attached to the Pages thereof

I, CHRISTIAN AUGUST BEYER, of 92, Søndre Strandvej, Elsinore, Denmark, a Danish subject, do hereby declare the nature of this invention and in what manner the same is to be performed, to be particularly described and ascertained in and by the following statement:—

The invention relates to a children's book, to the pages of which pieces of cardboard are hinged in such a manner that the same can be placed together so as to form the ceiling, rear curtain and sides of a stage, the side pieces being provided with narrow slots, by way of which the puppets representing the persons of the play can be introduced, the said puppets being attached to cardboard strips about  $\frac{3}{8}$ " wide standing edgewise, so that the motions of the puppets are guided by the cardboard strips inserted through the said slots.

Such a folding stage is now provided for instance on each of the righthand pages of the book, while the opposite page contains the text corresponding to the scene.

When this text has been read, the stage is folded together, which can easily be done within a few seconds. The page carrying the folded stage is then turned, and the stage pasted to the next leaf is assembled and the puppets are introduced, after which the play is continued. By moving the puppets concerned in a manner easily understood by the children, the reader can now indicate which person is pronouncing the sentence concerned.

Children's books are known, to the pages of which scenic panoramas are attached which are arranged in such a manner that they will be erected automatically when the book is opened, and will be folded together when the book is closed. These panoramas, the decorations and puppets of which are all immovable, however, are only intended to give the children an illustration to the text printed on the other page of the book, for instance a fairy tale. These panoramas, on the other hand, are not intended to be used as a speaking stage with movable puppets.

A combined book and toy theatre has

also been proposed in which the toy theatre is set up on the back portion of the book, which is formed as a stage. 55

One embodiment of the present invention is shown on the drawing, in which

Fig. 1 shows a book which is opened, but which has the stage on the lefthand page of the book folded together, 60

Fig. 2 the same view but with the members forming the stage partly unfolded, and

Fig. 3 the same view, but with the stage assembled. 65

It is understood that the book may contain an arbitrary number of leaves, and that a stage is provided on one side of each individual leaf, while the other side of the same leaf contains a text. The individual leaves may of course be supplemented by a further leaf or leaves, so that each text page may really comprise two pages as shown in Fig. 1, or a greater number of pages. 70 75

On the drawing, 1 and 2 are two leaves of a book. On the leaf 2, a text is printed, and to the outer edge of this leaf another leaf may be pasted or folded, a part 3 thereof being shown in Fig. 1, so that consequently two text pages may correspond to the situation demonstrated on the stage. The latter is disposed on the leaf 1 and consists of a central piece divided into three or, at least, two parts, and two side flaps. One part 4 of the central piece forms the floor of the stage, 5 is the rear curtain and 6 the ceiling of the scene. The two side pieces are marked 7 and 8. They can be swung upwards and are provided with flaps 9 adapted to be inserted into slots 10 in the member 6. In the side member 7 or in both side members 7 and 8, narrow slots or incisions 11 are provided which, when the stage has been assembled, serve to admit the puppets made of pasteboard or the like and, if desired, side scenes attached to a flat vertical strip, so that the puppets or side scenes, when placed on the stage, will stand vertically while the flat strip is guided in one of the slots 11. The side members 7 and 8, the rear curtain 5 and the ceiling 6 are provided with the decoration corresponding to the 80 85 90 95 100 105

text on the opposite page, in such a manner that the stage, when assembled as shown in Fig. 3, will present to the spectators the scenery exactly conforming to the text being read at the given time.

- 5 The assembling of the stage itself may, of course, be modified in various ways, without departing from the scope of the invention, and similarly, if desired, the stage may be provided on the righthand leaf and the text on the lefthand leaf, or the leaf 3 may be hinged to the upper or lower edge of leaf 2 instead of being hinged to the side edge of same as shown on the drawing.

15 Having now particularly described and ascertained the nature of my said invention and in what manner the same is to be performed, I declare that what I claim is:—

- 20 1. Children's book with puppet-theatre stages attached to the pages of the book and adapted to be erected and folded

together, characterized in that the stage consists of two side members and an intermediate member forming the rear curtain and ceiling, the said side members being provided with vertical narrow slots, through which the puppets provided with flat strips can be introduced and thereby be supported and, during the exchange of sentences, can be moved, in order to indicate which person is pronouncing the sentence concerned, the said three parts being adapted to be separated quickly, but not automatically, and to be folded together when the leaf of the book is to be turned.

2. Children's book according to claim 1, characterized by the feature that one or more supplementary text pages are hinged to the text page.

Dated this 16th day of November, 1936.

BARON & WARREN,  
231, Strand, London; W.C.2,  
Chartered Patent Agents.

Fig. 1.

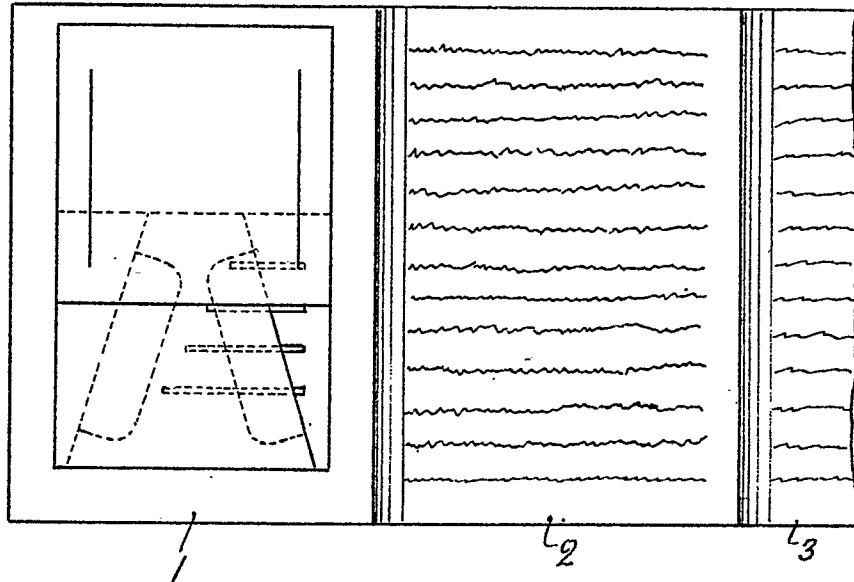
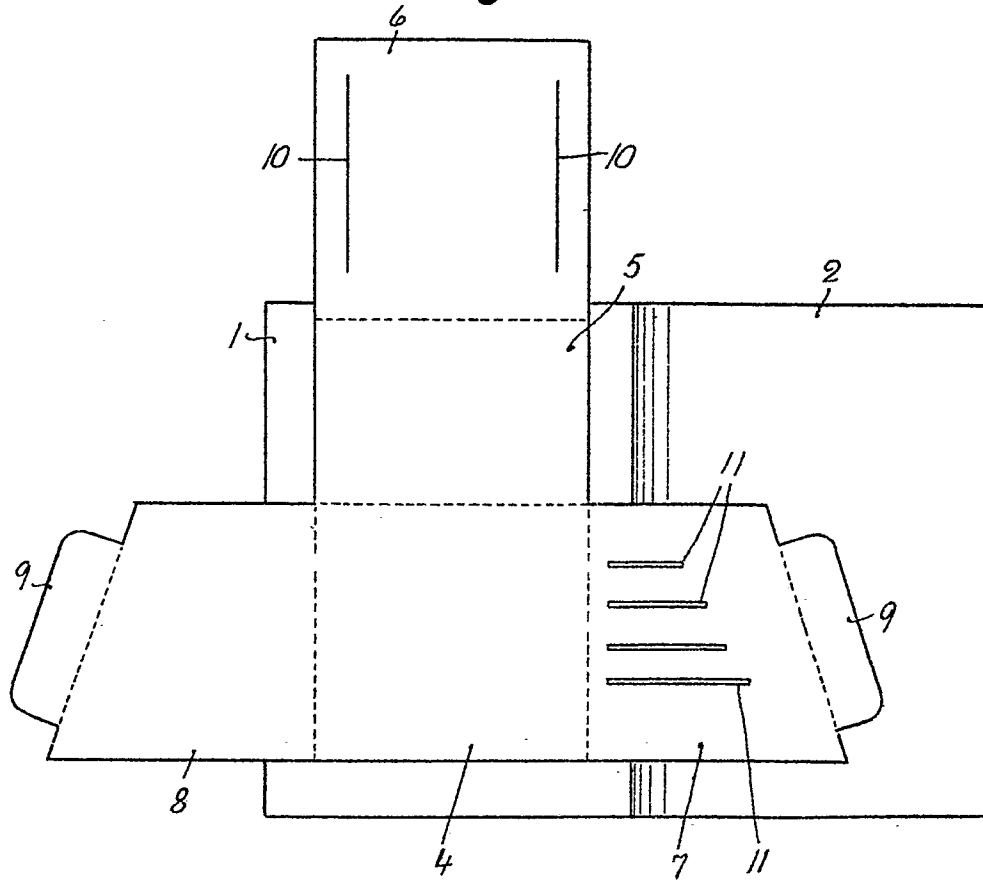


Fig. 2.



[This Drawing is a reproduction of the Original on a reduced scale.]



Fig. 3.

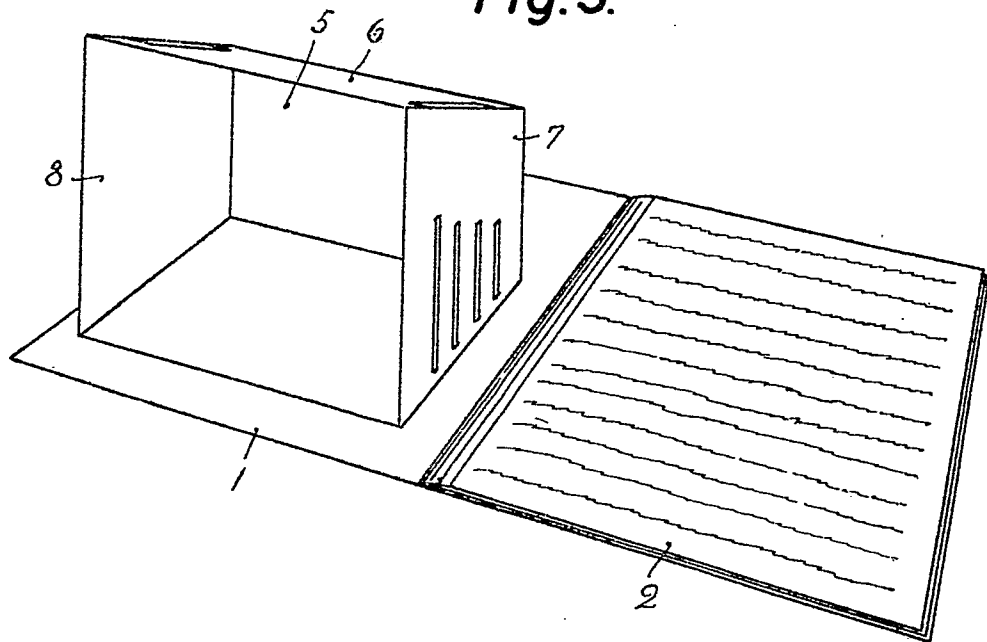


Fig. 1.

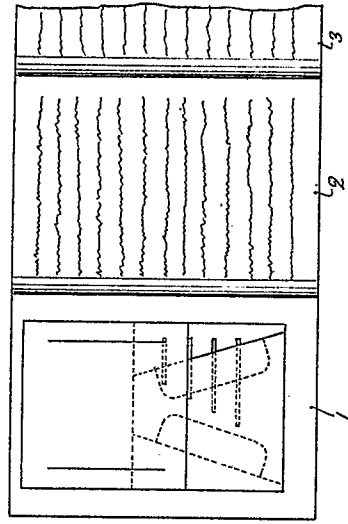


Fig. 2.

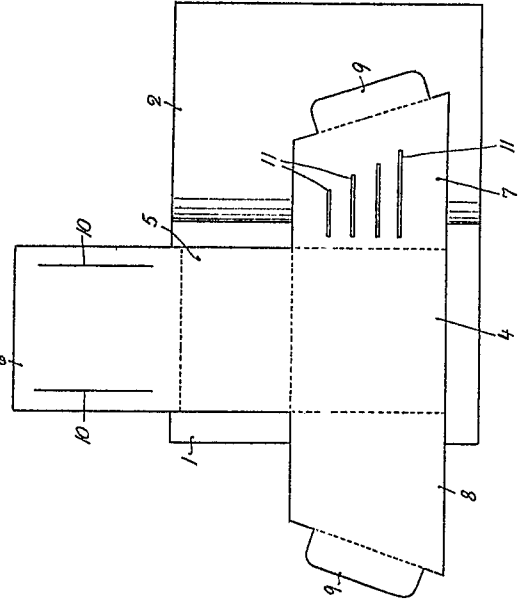
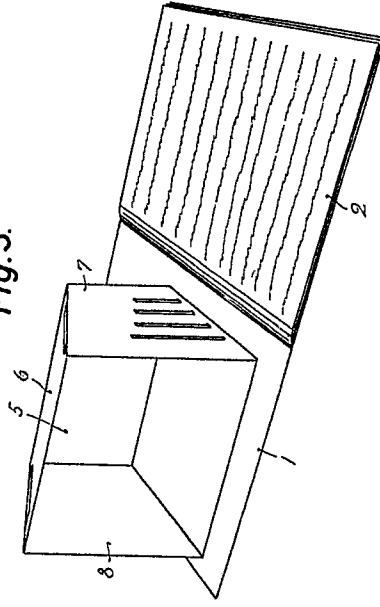


Fig. 3.



[This Drawing is a reproduction of the Original on a reduced scale.]